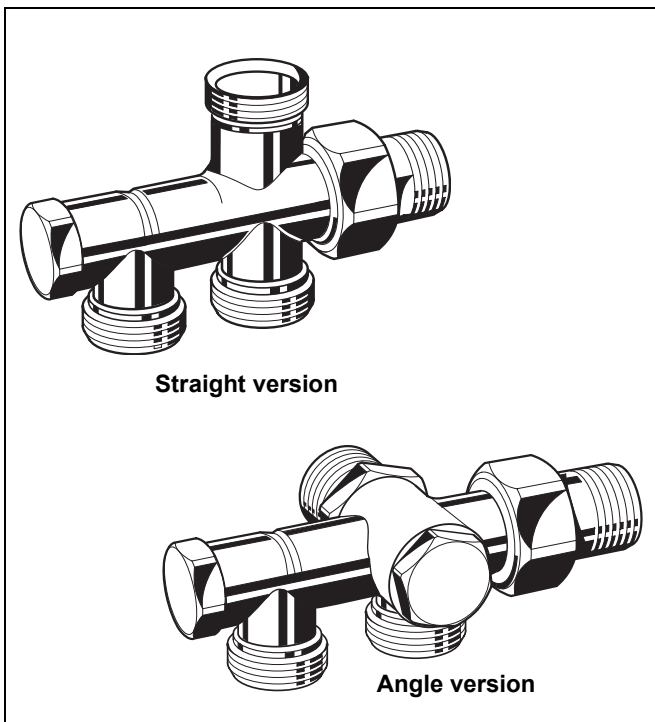


V2211, V2212 Fourway Distribution Valves

CONNECTION VALVES FOR DISTRIBUTION SYSTEMS

PRODUCT DATA



Straight version

Angle version

Design

The distribution valve consists of:

- Valve housing PN10, DN15 with G^{3/4}" external threads
- Shutoff valve insert
- Protection cap
- Union-nut and radiator tailpiece

Materials

- Valve housing made of nickel-plated brass
- Valve insert made of brass with EPDM O-rings
- Union-nut, tailpiece and cap made of nickel-plated brass

Application

Fourway distribution valves are used to connect the supply and return of a radiator to the heating loop. Individual radiators can be shutoff without affecting or interrupting the water flow of the heating loop.

By using distribution valves connections under the floor or in the wall are avoided. Angle pattern valves can be used on the left or on the right side of a radiator.

V2211 distribution valves are used for one-pipe systems and have a radiator flow share of 50%. V2212 distribution valves are used for two-pipe systems and have a radiator flow share of 100%.

Features

- No connections under the floor necessary
- Shutoff does not affect other radiators in the loop
- Available for one-pipe and two-pipe systems
- With G^{3/4}" (Eurocone) external threads

Specifications

Medium	Water or glycol-water mixture, quality to VDI 2035
Operating temperature	2...100°C (36...212°F)
Operating pressure	PN10
k_{vs}(cv)-values	V2211: 2.7 (3.16) V2212: 1.5 (1.76)

Function

The distribution valve supplies incoming heating water to the connected riser tube and heating water returning from the radiator back into the heating loop.

The radiator is shutoff from the heating loop when the valve insert is closed. Following radiators in the heating loop are not affected by this.

Please Note:

- To avoid stone deposit and corrosion the composition of the medium should conform with VDI-Guideline 2035
- Additives have to be suitable for EPDM sealings
- System has to be flushed thoroughly before initial operation with all valves fully open
- Any complaints or costs resulting from non-compliance with above rules will not be accepted by Honeywell
- Please contact us if you should have any special requirements or needs

Dimensions and Ordering Information

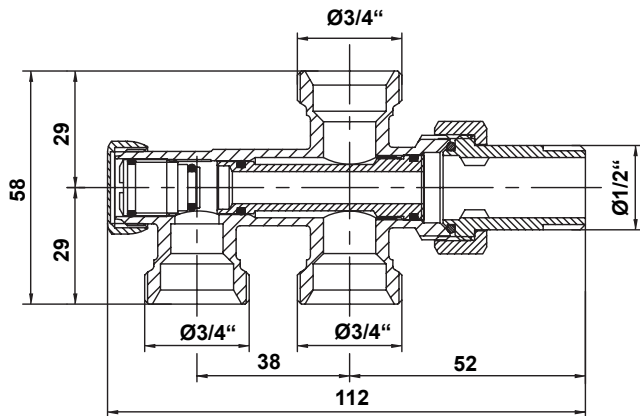


Fig. 1. Straight version

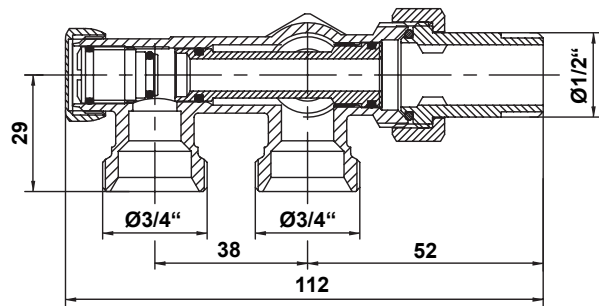


Fig. 2. Angle version

NOTE: All dimensions in mm unless stated otherwise.

Table 1. Available versions and OS-Nos (OS=Ordering Specification)

Item	Description	OS-No.
V2211X floor	Fourway distribution valve for one-pipe systems (radiator share 50%), straight version, floor connection	V2211XD0020
V2211X wall	Fourway distribution valve for one-pipe systems (radiator share 50%), angle version, wall connection	V2211XE0020
V2212X floor	Fourway distribution valve for two-pipe systems, straight version, floor connection	V2212XD0020
V2212X wall	Fourway distribution valve for two-pipe systems, angle version, wall connection	V2212XE0020


Accessories

Connection for copper pipe (2 pcs.)



3/4" x 10 mm	OT114M-3/4B
3/4" x 12 mm	OT114M-3/4C
3/4" x 14 mm	OT114M-3/4D
3/4" x 15 mm	OT114M-3/4E
3/4" x 16 mm	OT114M-3/4F
3/4" x 18 mm	OT114M-3/4H

Chrome-plated precision steel riser tube

 15 x 1 mm, length 1.100 mm VA2203A110

Pressure cap – for shutting off valves on radiator outlet



for valve DN15 VA2202A015

Connection for PE-X pipe (2 pcs.)



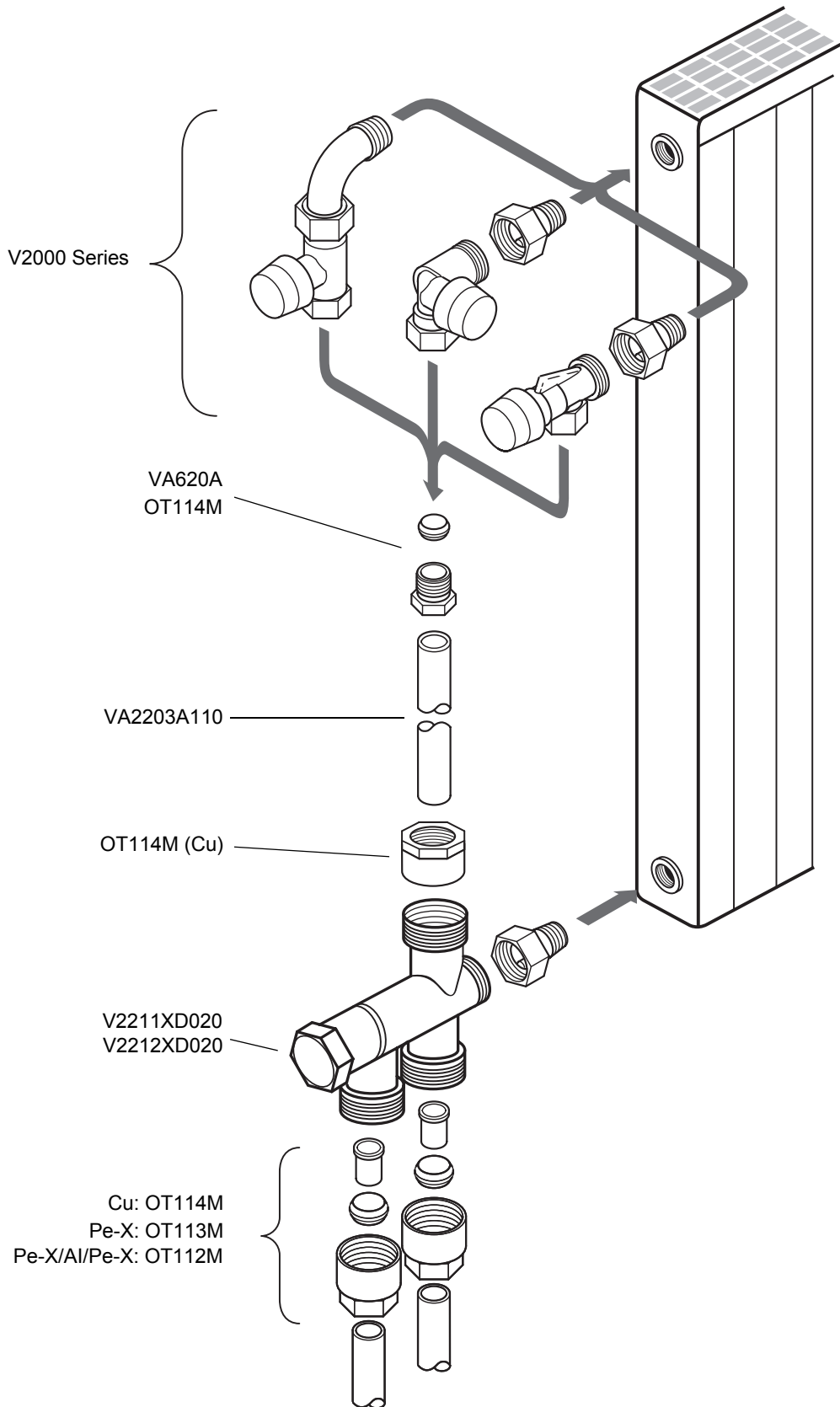
3/4" x 14 x 2 mm	OT112M-3/4D
3/4" x 16 x 2 mm	OT112M-3/4F
3/4" x 16 x 2,2 mm	OT112M-3/4F2
3/4" x 17 x 2 mm	OT112M-3/4G
3/4" x 18 x 2 mm	OT112M-3/4H
3/4" x 20 x 2 mm	OT112M-3/4K

Connection for composite pipe (2 pcs.)



3/4" x 14 x 2 mm	OT113M-3/4D
3/4" x 16 x 2 mm	OT113M-3/4F
3/4" x 18 x 2 mm	OT113M-3/4H

Application overview



Environmental and Combustion Control

Honeywell GmbH

Hardhofweg

74821 Mosbach, Germany

Phone: +49 (6261) 810

Fax: +49 (6261) 81393

www.honeywell.com

EN0H-2405GE25 R1108
November 2008

© 2008 Honeywell International Inc.
Subject to change without notice

Manufactured for and on behalf of the Environmental and Combustion
Controls Division of Honeywell Technologies Sàrl, Z.A. La Pièce 16,
1180 Rolle, Switzerland or its authorized representative.

Honeywell